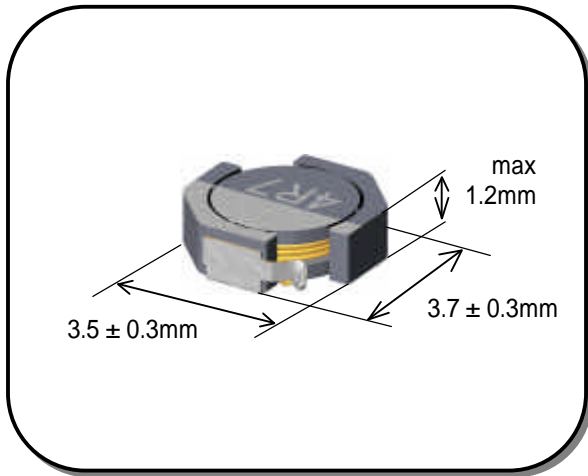


**Component**  
**Image & Dimension**



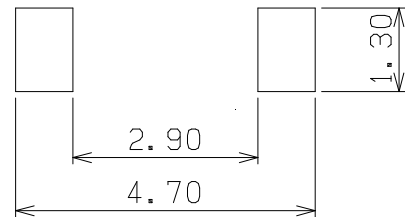
**Features :**

- a) Miniature Size :  
**Mount Area : 3.5mm x 3.7mm**  
**Low Profile : 1.2mm Max. Height**
- b) Generic use for portable DC/DC Converter.
- c) High Magnetic Shield Construction should actualize High Resolution for EMC Protection.
- d) Automatic Mounting in Tape&Reel Package.

**Recommended pattern**

**Applications :**

DVC , DSC , PDA, MD, LCD Display  
Cellular Phone, Cordless Telephone, HDD, FDD etc.



**Electrical Specification (TENTATIVE)**

| TDK Identification | Inductance[uH] |          | Test Freq. (kHz) | DC Resistance[ohm] |        | Rated DC Current[A] |              |
|--------------------|----------------|----------|------------------|--------------------|--------|---------------------|--------------|
|                    | at 1/2 Idc1    | Tol. (%) |                  | Spec. (max.)       | (Typ.) | Idc 1 (max.)        | Idc 2 (Typ.) |
| VLF4012AT- 1R5M1R6 | 1.5            | +/-20%   | 100              | 0.079              | 0.069  | 1.8                 | 1.6          |
| VLF4012AT- 2R2M1R5 | 2.2            | +/-20%   | 100              | 0.087              | 0.076  | 1.5                 | 1.5          |
| VLF4012AT- 3R3M1R3 | 3.3            | +/-20%   | 100              | 0.12               | 0.10   | 1.3                 | 1.3          |
| VLF4012AT- 4R7M1R1 | 4.7            | +/-20%   | 100              | 0.16               | 0.14   | 1.1                 | 1.1          |
| VLF4012AT- 6R8MR96 | 6.8            | +/-20%   | 100              | 0.23               | 0.20   | 0.96                | 0.97         |
| VLF4012AT- 100MR79 | 10.0           | +/-20%   | 100              | 0.35               | 0.30   | 0.80                | 0.79         |
| VLF4012AT- 150MR63 | 15.0           | +/-20%   | 100              | 0.53               | 0.46   | 0.63                | 0.64         |
| VLF4012AT- 220MR51 | 22.0           | +/-20%   | 100              | 0.82               | 0.71   | 0.52                | 0.51         |
| VLF4012AT- 330MR39 | 33.0           | +/-20%   | 100              | 1.4                | 1.2    | 0.44                | 0.39         |
| VLF4012AT- 470MR30 | 47.0           | +/-20%   | 100              | 2.3                | 2.0    | 0.36                | 0.30         |

**Idc1 = Depend on inductance saturation. (-30% reduction from nominal L value)**

**Idc2 = Depend on self temperature rise. (40degC typ at specified Idc2)**