

EMC Components

MEM-T Series MEM2012T Type

3-Terminal Filters for Signal Line and DC Power Line SMD

FEATURES

- Multilayer chip EMC filter utilizing a T-type circuit.
- Entirely monolithic structure results in high reliability.
- Due to closed magnetic circuit architecture, high-density installation becomes possible, and crosstalk generation is prevented.
- Steep attenuation characteristic plot. Highly effective noise suppression.
- Covers a wide range of frequencies.
- MEM2012T is a coil type EMC filter.

TEMPERATURE RANGE

Operating	-40 to +85°C
-----------	--------------

APPLICATIONS

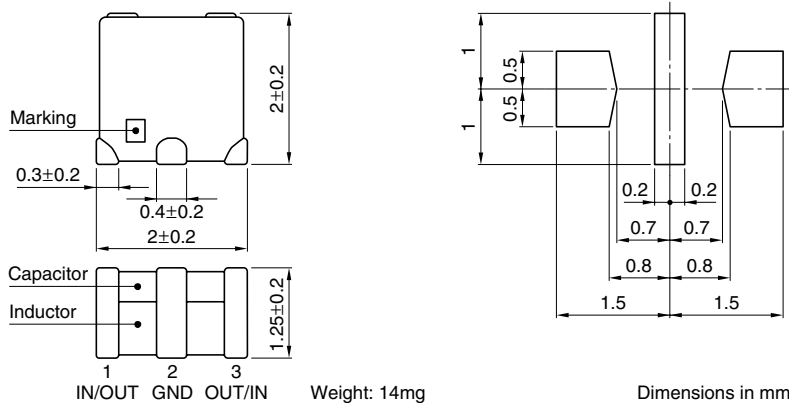
Computer and computer peripherals, VCRs, TVs, car audio equipment, printers, game machines, etc.

PRODUCT IDENTIFICATION

MEM	2012	T	10R0	T
(1)	(2)	(3)	(4)	(5)

- (1) Series name
- (2) Dimensions LxW
- (3) T-type circuit
- (4) Cutoff frequency 10R0:10MHz
- (5) Packaging style T:Taping

SHAPES AND DIMENSIONS/RECOMMENDED PC BOARD PATTERN

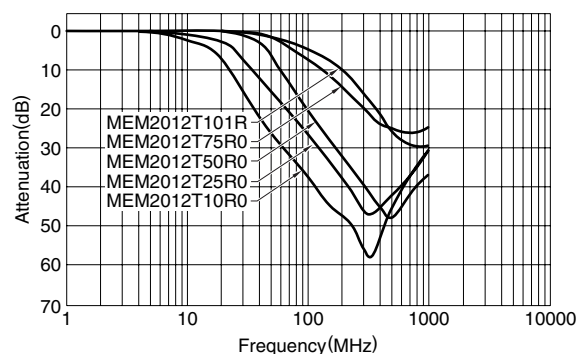


ELECTRICAL CHARACTERISTICS

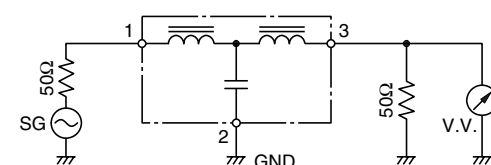
Part No.	Cutoff frequency (MHz)	Insertion loss (dB)min.	Rated voltage Edc(V)max.	Rated current (mA)max.	DC resistance (Ω)max. [Terminal No.1 to 3]
MEM2012T10R0	10	20[40 to 900MHz]	10	100	0.5
MEM2012T25R0	25	20[80MHz to 1GHz]	10	150	0.3
MEM2012T50R0	50	20[150MHz to 1.2GHz]	10	150	0.3
MEM2012T75R0	75	20[300MHz to 1.7GHz]	10	250	0.1
MEM2012T101R	100	20[400MHz to 1.7GHz]	10	250	0.1

TYPICAL ELECTRICAL CHARACTERISTICS

ATTENUATION vs. FREQUENCY CHARACTERISTICS



MEASURING CIRCUIT



PACKAGING STYLE AND QUANTITIES

Packaging style	Quantity
Taping	1000 pieces/reel