

EMC Components

MEM-P Series MEM2012P Type

3-Terminal Filters for Signal Line and DC Power Line SMD

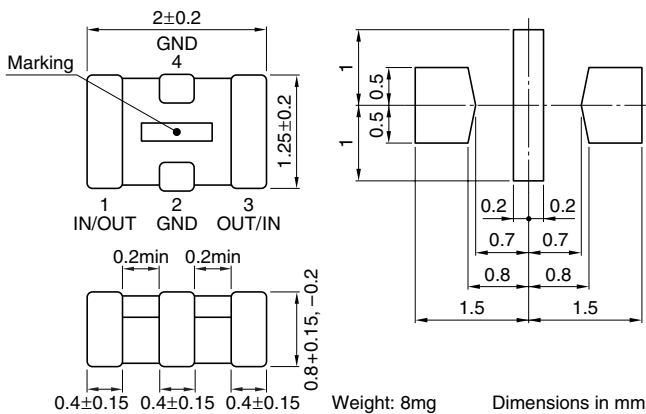
FEATURES

- Multilayer chip EMC filter that is small and low-profile due to the use of a π -type circuit.
- Entirely monolithic structure results in high reliability.
- Due to closed magnetic circuit architecture, high-density installation becomes possible, and crosstalk generation is prevented.
- Steep attenuation characteristic plot. Highly effective noise suppression.
- Covers a wide range of frequencies.
- π -type circuit with 1 coil / 2 capacitors construction.

TEMPERATURE RANGE

Operating	-40 to +85°C
-----------	--------------

SHAPES AND DIMENSIONS/ RECOMMENDED PC BOARD PATTERN



APPLICATIONS

Computers, computer peripherals, VCRs, TVs, car audio equipment, printers, game machines, etc.

PRODUCT IDENTIFICATION

MEM	2012	P	10R0	T
(1)	(2)	(3)	(4)	(5)

- (1) Series name
- (2) Dimensions LxW
- (3) π -type circuit
- (4) Cutoff frequency 10R0:10MHz
- (5) Packaging style T:Taping

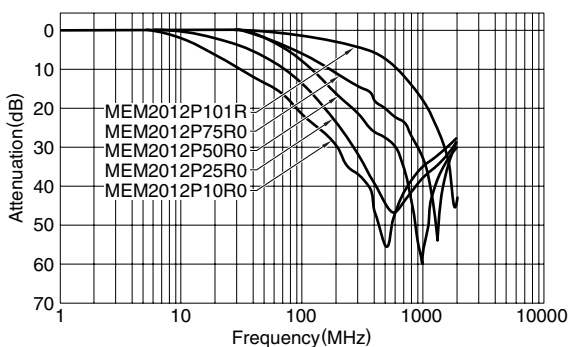


ELECTRICAL CHARACTERISTICS

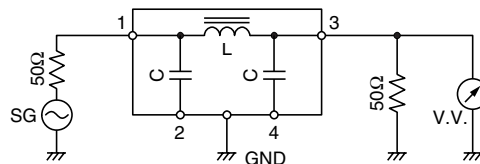
Part No.	Cutoff frequency (MHz)	Attenuation (dB)min.	Rated voltage Edc (V)max.	Rated current Idc (mA)max.
MEM2012P10R0	10	20[0.2 to 2GHz]	12	200
MEM2012P25R0	25	20[0.3 to 2GHz]	12	200
MEM2012P50R0	50	20[0.4 to 2GHz]	12	200
MEM2012P75R0	75	20[0.7 to 2GHz]	12	200
MEM2012P101R	100	20[1.5 to 2GHz]	12	200

TYPICAL ELECTRICAL CHARACTERISTICS

ATTENUATION vs. FREQUENCY CHARACTERISTICS



MEASURING CIRCUIT



PACKAGING STYLE AND QUANTITIES

Packaging style	Quantity
Taping	4000 pieces / reel