

Inductors

For Power Line

SMD

LLF Series LLF4017 Type

FEATURES

- The LLF series are characterized by small size, low Rdc and high current handling capacity in this package size.
- New Concept SMD power inductor without resin base. Without resin base, small package size but high electrical performance.
- As the affinity for environment, LLF series doesn't contain any of Pb materials.
- Provided in embossed carrier tape packaging for automatic mounting machines.

APPLICATIONS

DVC, DSC, PDA, MD, MP3, LCD Display, GSM Phone, Cellular Phone, Cordless Telephone, etc.

SPECIFICATIONS

Type	Operating temperature range [including self-temperature rise]	Storage temperature range [Unit of products]
LLF4017	-20 to +105	-40 to +105
LLF4019	-20 to +105	-40 to +105

PRODUCT IDENTIFICATION

LLF 4017 T- 100 M R80 -

Series name (SMD type Choke Coil)

Dimensions LxWxT

4017	4.0x4.0x1.7mm
4019	4.0x4.0x1.9mm

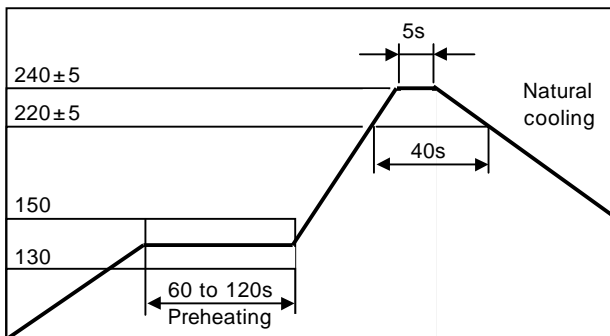
Packaging style

T	Taping(reel)
---	--------------

Inductance value

4R7	4.7μH
100	10μH

RECOMMENDED REFLOW SOLDERING CONDITIONS



Inductance tolerance

M	±20%
---	------

Rated current

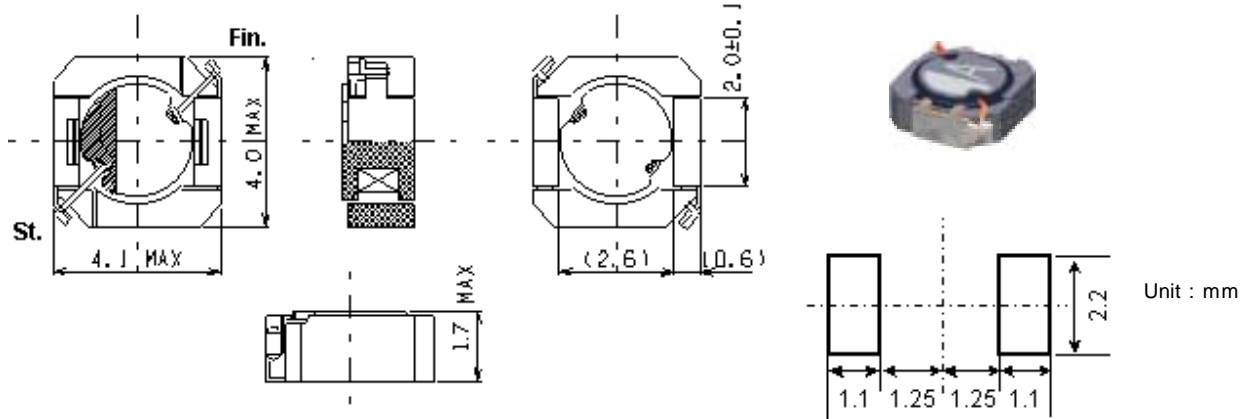
1R1	1.1A
R80	0.8A

Series No.

PACKAGING STYLE AND QUANTITIES

Packaging style	Type	Quantity
Taping	LLF4017	1,000 pieces/reel
	LLF4019	1,000 pieces/reel

SHAPES AND DIMENSIONS/RECOMMENDED PC BOARD PATTERN



ELECTRICAL CHARACTERISTICS

Inductance (μH)	Inductance tolerance(%)	Inductance (μH) at I_{dc1}	Test Frequency(KHz)	DC Resistance ($\text{m}\Omega$) Max.	Rated current (mA)*		Part No.
					Based on inductance change (A Max.)	Based on temperature rise (A Typ.)	
1.5	± 30	1.0	100	62.4	1.50	1.80	LLF4017T-1R5N1R5
4.7	± 30	3.0	100	126	0.80	1.28	LLF4017T-4R7NR80
6.8	± 30	4.5	100	146	0.70	1.19	LLF4017T-6R8NR70
10	± 20	7.0	100	174	0.50	1.10	LLF4017T-100MR50
15	± 20	10.0	100	306	0.40	0.77	LLF4017T-150MR40
22	± 20	15.0	100	384	0.35	0.70	LLF4017T-220MR35
33	± 20	23.0	100	543	0.30	0.63	LLF4017T-330MR30

* Rated current: Value obtained when current flows, the temperature has risen to 35 or when DC current flows, the value of inductance should be followed L spec. at I_{dc1} .

• Test equipment Inductance: HP4294A PRECISION IMPEDANCE ANALYZER, or equivalent
Rdc: DIGITAL MILLIOHM METER VP-2941A MATSUSHITA, or equivalent

TYPICAL ELECTRICAL CHARACTERISTICS
INDUCTANCE CHANGE vs. DC SUPERPOSITION
CHARACTERISTICS

